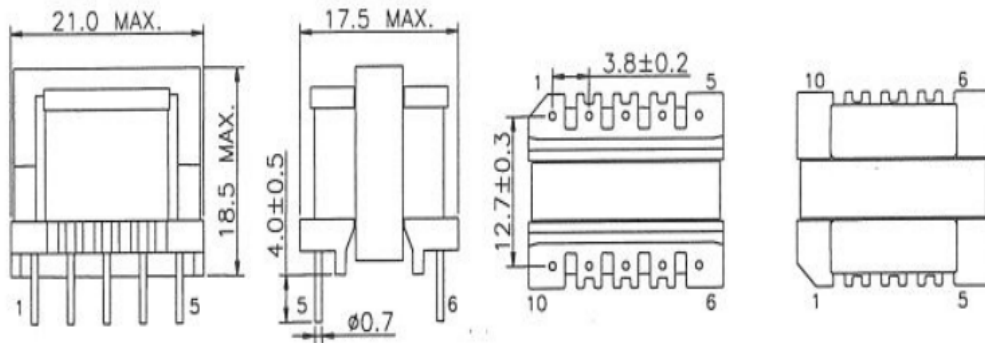
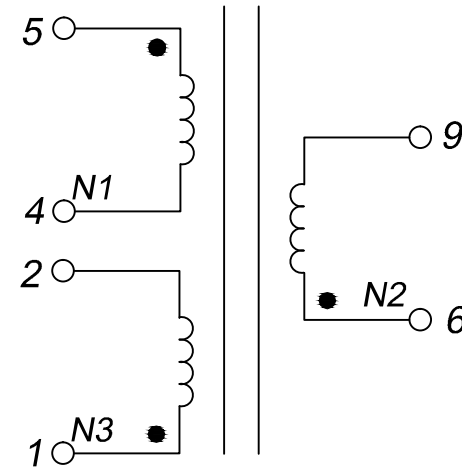


CUSTOMER TERMINAL	ROHS	Lead (Pb) -free
	YES	YES

1. Mechanical Dimensions



2. Schematic Diagram



3. Material List

Core:FW40-EE19
 BOBBIN:FWB1909
 Wire:2UEW
 Operating Temperature: -30 to 115°C

4. Electrical Specification

Inductance: $L(4-5)=3.0mH\pm 10\%$ 1.0KHZ 1.0V
 Hi-Pot: P-S AC 1.6KV 2mA 2S
 P、S-CORE AC 1.6KV 2mA 2S

REV.	DATE	 Convention Placement	DRW.	Drawing Title: TRANSFORMER Customer P/N:	Part No:
0	00/00		CHK.		FWPTEE19V302K
RoHS		www.ferriwo.com	APP.		Specification Sheet 1 of 1